

Opal Brushed Stainless Hand Towel Dispenser

Opal[®]
Range



Part Number HTL01-BS

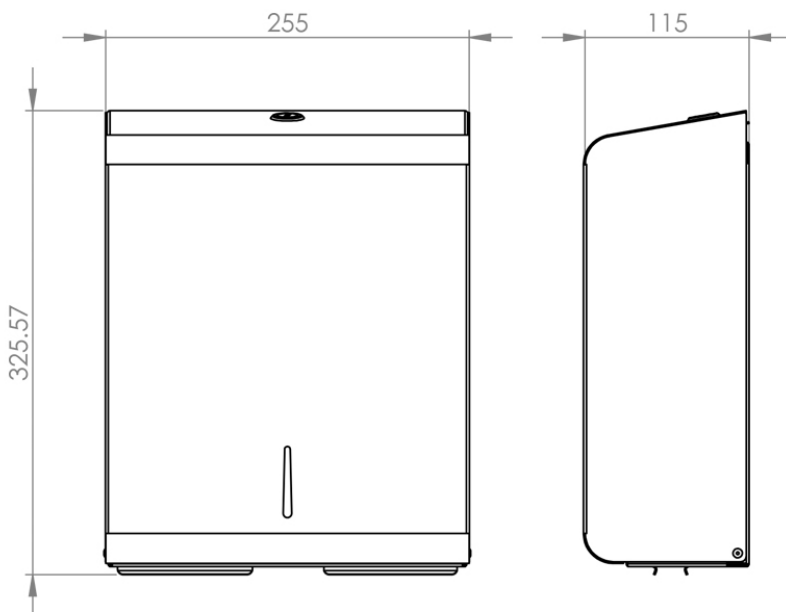
UK Manufactured in a brushed stainless steel
304L grade stainless steel 240g
High quality, durable hand towel dispenser
Designed for a wide range of hand towels
Robust and hygienic material to clean and maintain
Front window to check stock levels
Key lockable with low profile chrome lock
Fixing kit and key provided

The Opal Range is an official Made In Britain product

Height 325mm
Width 255mm
Projection 115mm



Dimensions



Capacity



Approx 550 paper towels
Suitable for Z-Fold, C-fold and Inter-fold papers
Slimline aperture to assist paper performance

Available Spare Parts

Part No 5059 Spring loaded lock + 118 key