

Intro Matte Black Steel Small 10" Jumbo Dispenser

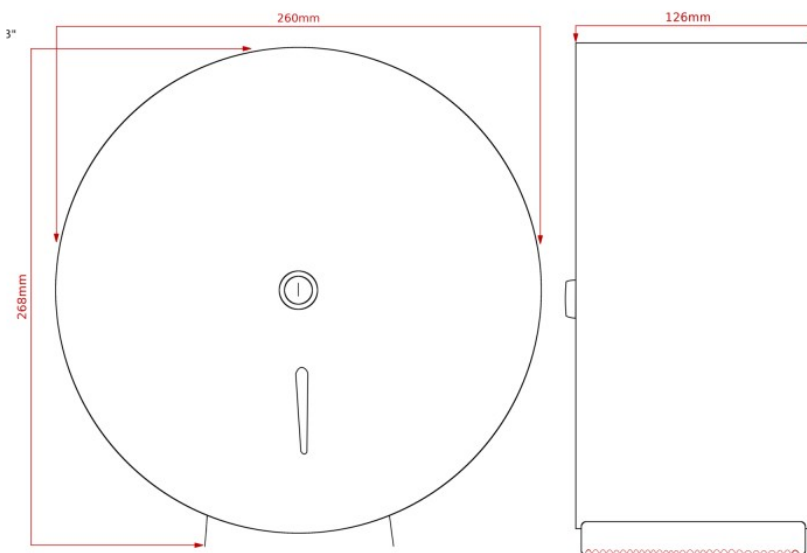


Part Number MJ10-INTRO-MBK

A stylish and durable 10" Jumbo tissue dispenser both
Designed for a small jumbo roll 2¼ - 3inch core
Durable zinc coated steel, Matte Black 9005 finish
Robust design with a full backplate for added security
Easy access to open when replacing the existing roll
Key lockable with a front hinged cover
Hygienic material to clean and maintain
Front window to check stock levels
Fixing kit and key provided

Height 268mm
Width 260mm
Projection 126mm

Dimensions



Capacity



Perforated or non-perforated jumbo rolls
CAPACITY Max diameter 250mm, standard
core size 57mm max 76mm

