

# Intro Black Steel Small 10" Jumbo Dispenser

---



## Part Number MJ10-INTRO-BK

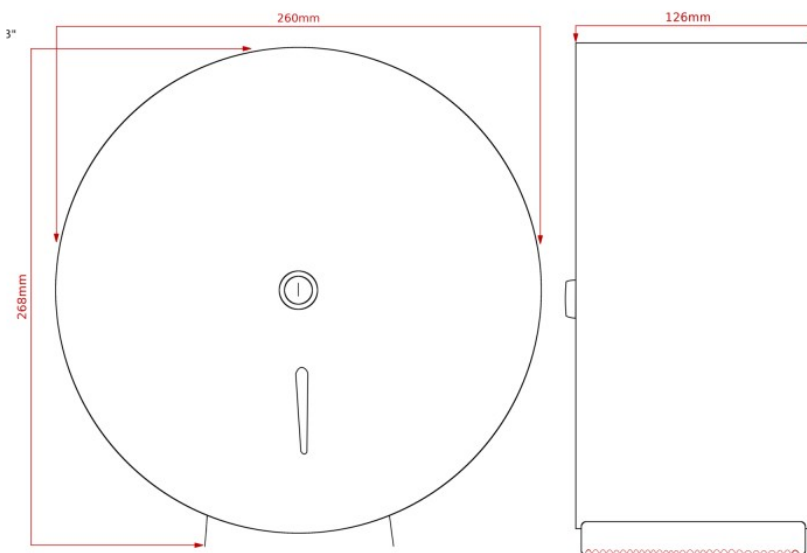
---

A stylish and durable 10" Jumbo tissue dispenser both  
Designed for a small jumbo roll 2¼ - 3inch core  
Durable zinc coated steel, Black gloss finish  
Robust design with a full backplate for added security  
Easy access to open when replacing the existing roll  
Key lockable with a front hinged cover  
Hygienic material to clean and maintain  
Front window to check stock levels  
Fixing kit and key provided

Height 268mm  
Width 260mm  
Projection 126mm

## Dimensions

---



## Capacity

---



Perforated or non-perforated jumbo rolls  
CAPACITY Max diameter 250mm, standard  
core size 57mm max 76mm

