

# Intro Brushed Stainless 10" Jumbo Dispenser

---



## Part Number MJ10-INTRO

---

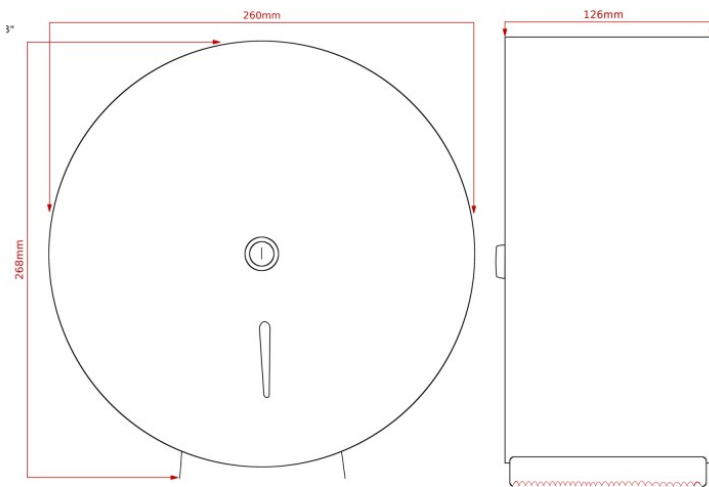
304 grade brushed stainless steel material  
A stylish and durable 10" Jumbo tissue dispenser both  
Designed for a mini jumbo roll 2 1/4 - 3inch core  
Easy access to open when replacing the existing roll  
Robust and hygienic material to clean and maintain  
Front window to check stock levels  
Key lockable with a front hinged cover  
Fixing kit and key provided

*The Intro Range is made from 304 grade Stainless Steel*

Height 268mm  
Width 260mm  
Projection 126mm

## Dimensions

---



## Capacity

---



Perforated or non-perforated jumbo rolls  
CAPACITY Max diameter 260mm, standard  
core size 57mm max 76mm

